

# Beam & Girder Clamps



## Model GC - Girder Clamps



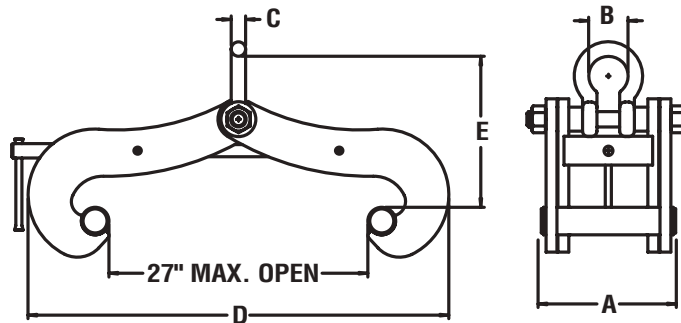
### PRODUCT FEATURES:

- These clamps provide an efficient method for handling wide flange beam sections and plate girders.
- Screw-spindle design ensures positive grip.
- Simple design ensures minimum maintenance.
- Left-hand thread and right-hand thread screw spindle allows for rapid clamping and unclamping.
- Jaw aperture adjusts to a wide range of beam types and flange widths.
- Designed and manufactured to ASME B30.20



### SPECIFICATIONS

Model Number	Rated Capacity Tons	Flange Width Min - Max	Max. Flange Thickness	Dimensions in Inches					Weight (lbs)
				A	B	C	D Min - Max	E Min - Max	
GC - 15	15	6 - 24	3	14.81	3.9	1.6	23 - 44	15.7 - 23.4	234
GC - 20	20	6 - 24	3	14.81	5	2.1	23 - 44	18.3 - 25.9	291
GC - 25	25	6 - 24	3	14.81	5	2.1	23 - 44	18.3 - 25.9	330



## Operation

### WARNING

Decreasing the load by bumping or substantial imbalance can, under certain circumstances, loosen the grip. Do not use on flange widths less than those specified.



For lifting and/or positioning structural beams. Can be used in pairs in conjunction with a spreader beam for additional versatility.